

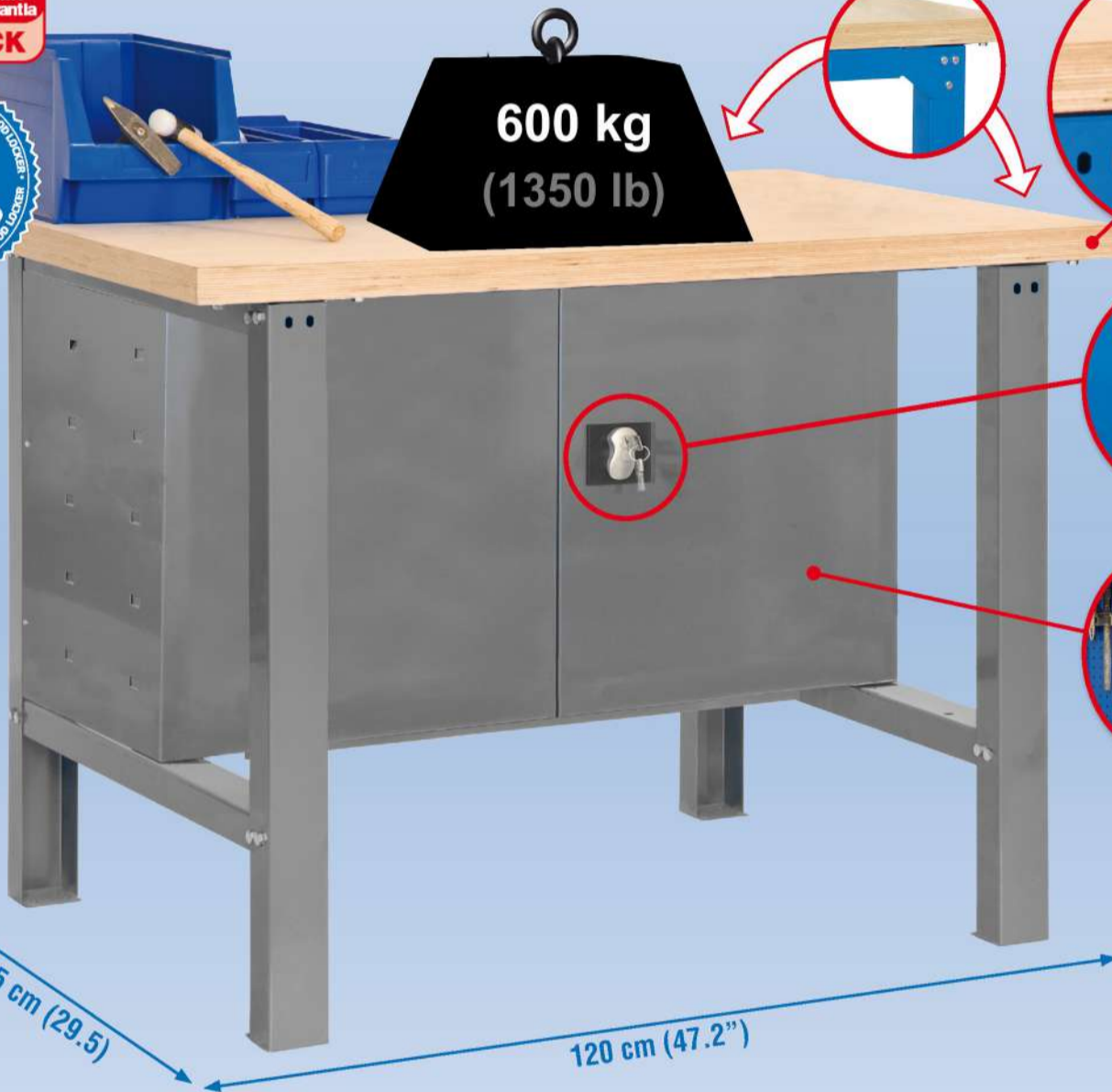
SIMONWORK BT6 1200 Plywood Locker



87 x 120 x 75 cm
34.3" x 47.2" x 29.5"



5 Años Garantía
 Years Guarantee
 Jahre Garantie
 Ans Garantie
 Anos de Garantia
SIMONRACK



600 kg
(1350 lb)

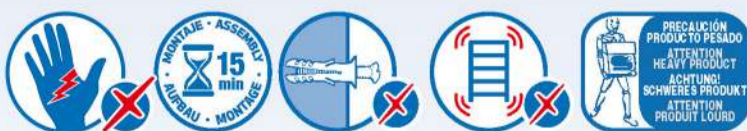
3,5 cm
(1.4")

87 cm (34.3")

75 cm (29.5)

120 cm (47.2")

- 4 x 82.5 cm (32.5")
- 2 x 72 cm (28.3")
- 2 x 72 cm (28.3")
- 2 x 100 cm (39.4")
- 1 x 75x120 cm (29.5"x47.2")
- 12 x
- 54 x
- 42 x
- 1 x 31x53x100 cm (12.2"x20.9"x39.4")
- 20 x 4 x



*MEDIDAS EN USO USED MEASUREMENTS
 MASSNAHMEN IM EINSAZ MEASURES EN EMPLOI MEDIDAS EM USO:
870 x 1210 x 760 mm (34.2" x 47.6" x 29.9")



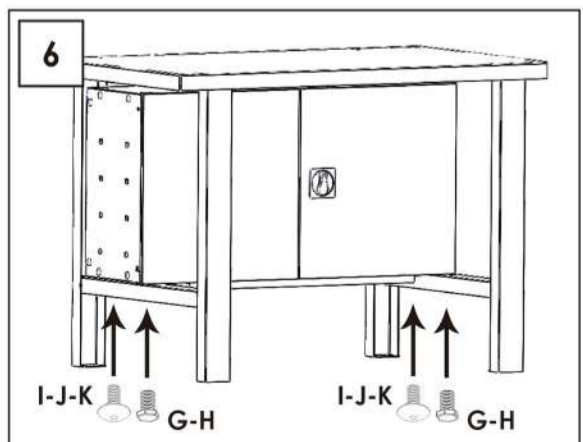
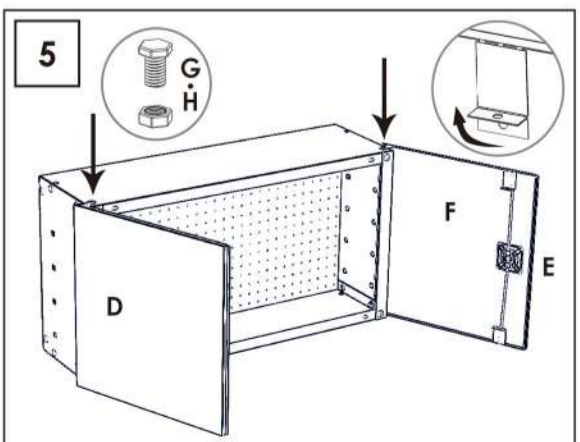
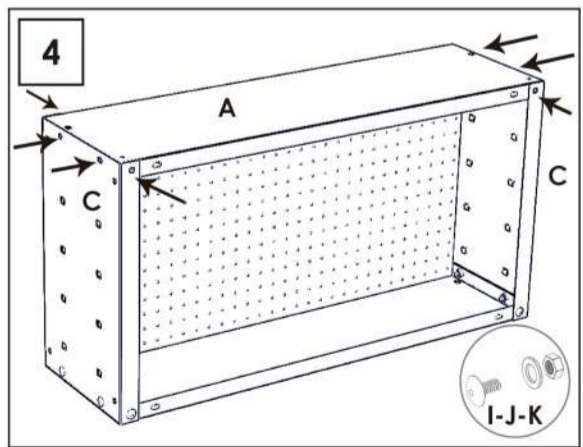
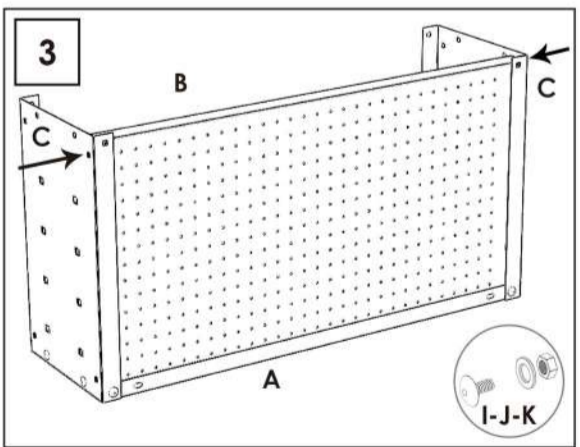
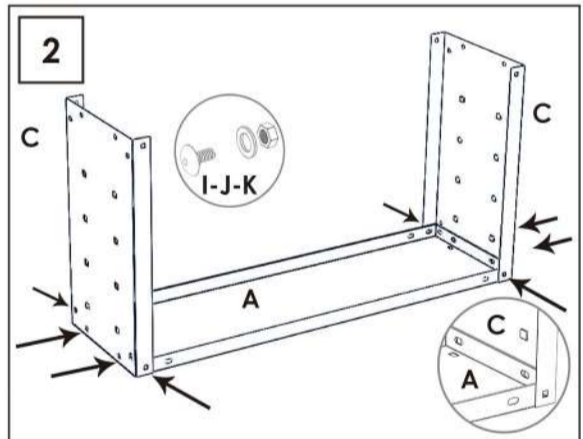
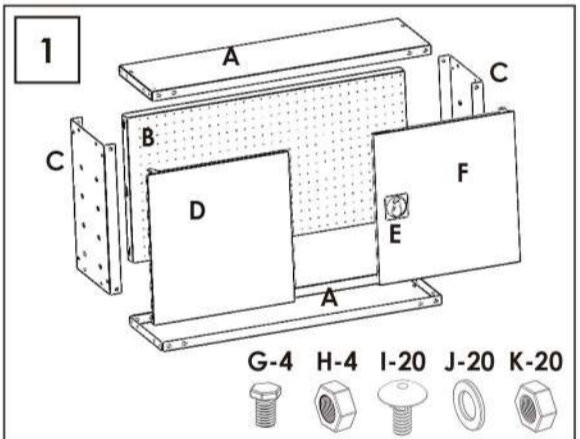
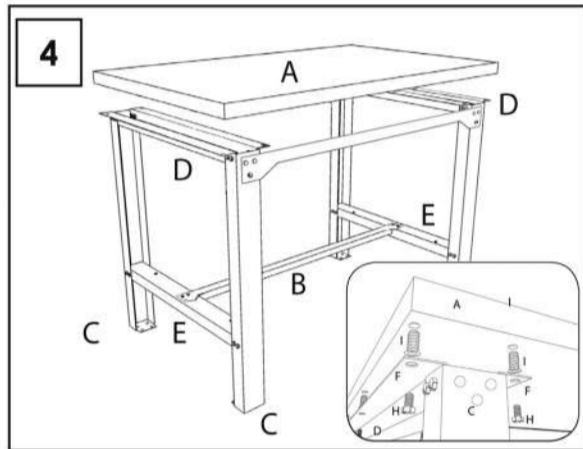
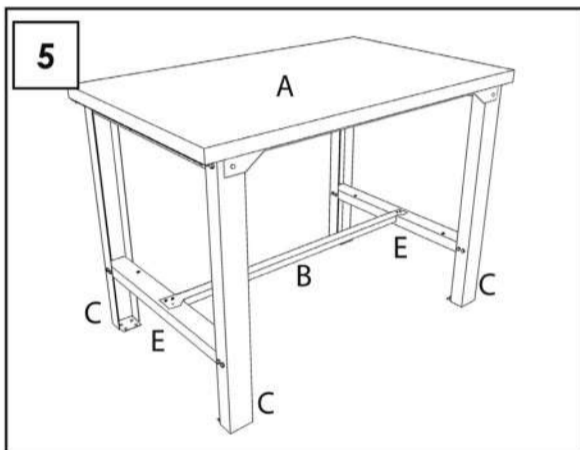
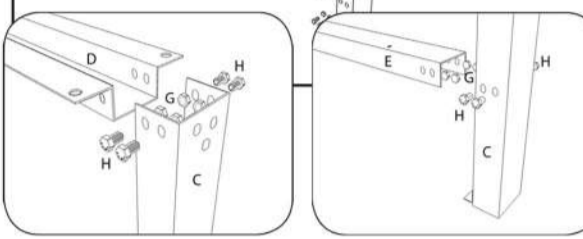
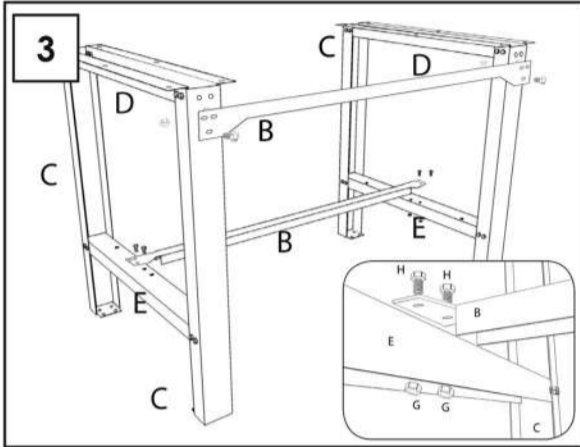
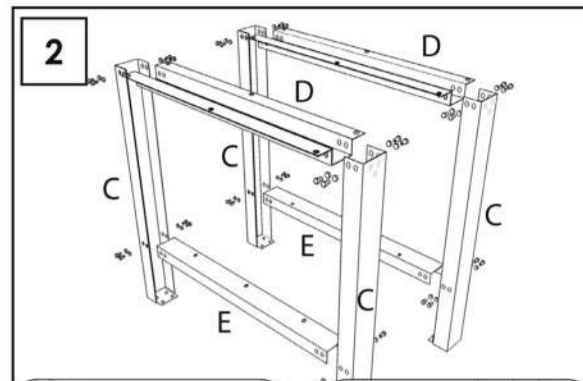
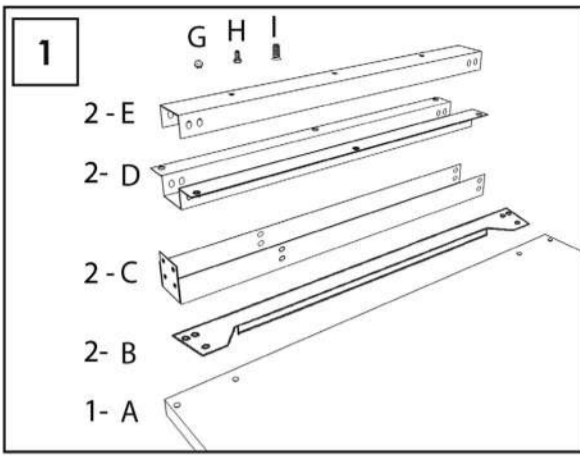
ESTANTERIAS SIMON S.L. B.50.556.463
 PG. ALFAMEN C/ POLIGONO C, N°3
 ALFAMEN (ZARAGOZA)



www.simonrack.com



INSTRUCCIONES
 INSTRUCTIONS
 ANLEITUNG
 INSTRUCTIONS



SIMONCLASSIC

BOLTS SYSTEM

Up to: **150 Kg./Shelf**
Uniformly Distributed Load

SIMONCLICK

NO BOLTS SYSTEM

Up to: **275 Kg./Shelf**
Uniformly Distributed Load

SIMONOFFICE

NO BOLTS SYSTEM

Up to: **275 Kg./Shelf**
Uniformly Distributed Load

SIMONTALLER

NO BOLTS SYSTEM

Up to: **600 Kg./Shelf**
Uniformly Distributed Load

BANCOS DE TRABAJO

Up to: **800 Kg./Shelf**
Uniformly Distributed Load

SIMONHOME

Up to: **150 Kg./Shelf**
Uniformly Distributed Load

TAQUILLAS



SIMONTITÁN

NO BOLTS SYSTEM

Up to: **900 Kg./Shelf**
Uniformly Distributed Load

SIMONINOX

NO BOLTS SYSTEM

SIMONPALET

Up to: **4500 Kg./Shelf**
Uniformly Distributed Load

SIMONLEVER

ALTILLOS Y PASILLOS ELEVADOS

