

SIMONWORK BT3 BOX 1200

144,5 x 121 x 61 cm
56.9" x 47.6" x 24.0"

5 Años Garantía
Years Guarantee
Jahre Garantie
Ans Garantie
Anos de Garantia
SIMONRACK



- | | | | | | |
|---------------------------------|---|---|-----------------------|---------------------------------|---|
| 1 x
120x60 cm
47.2"x23.6" | 2 x
84 cm
33.1"
2 x
144 cm
56.7" | 1 x
MDF
60x120 cm
23.6"x47.2"
1 x
35x120 cm
13.8"x47.2" | 4 x
60 cm
23.6" | 3 x
120 cm
47.2" | 1 x
120 cm
47.2"
1 x
60 cm
23.6" |
| 2 x
9,5x19 cm
3.7"x7.5" | 1 x
120x20 cm
47.2"x7.9" | 6 x | 2 x
60 cm
23.6" | 2 x
60 cm
(22.8")
10 x | 1 x
35 kg
(80 lb)
56x107 cm
22.0"x42.1" |



Simon Rack
SINCE 1964 - MANUFACTURER



ESTANTERIAS SIMON S.L. B.50.556.463
PG. ALFAMEN C/ POLIGONO C. Nº3
ALFAMEN (ZARAGOZA)



www.simonrack.com

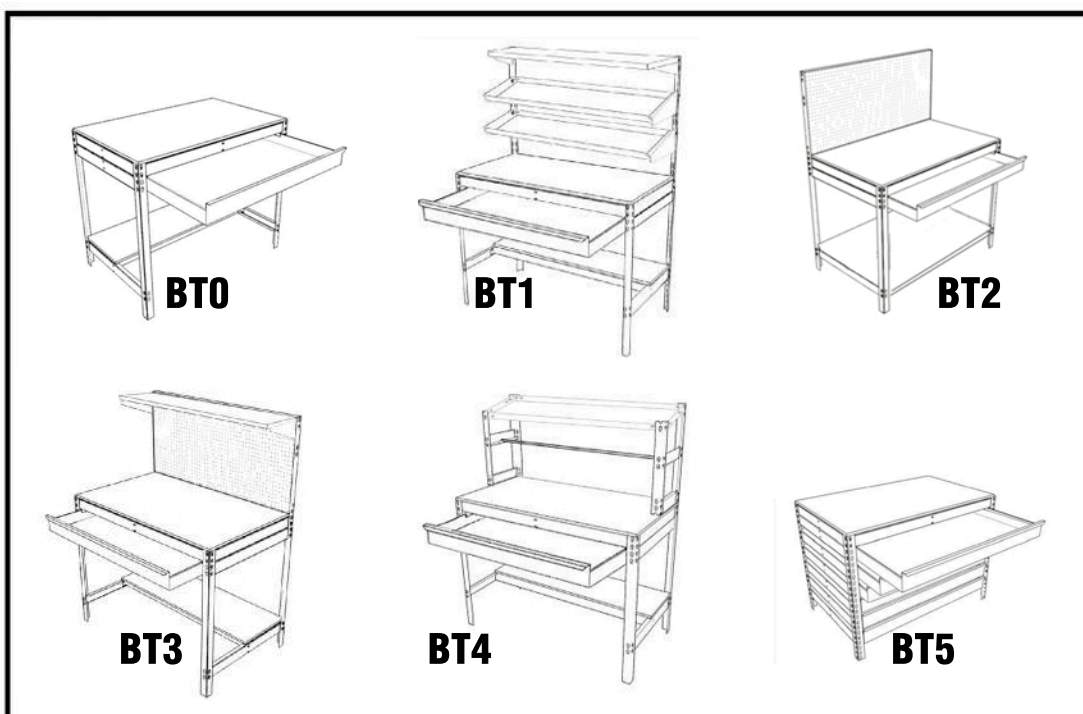
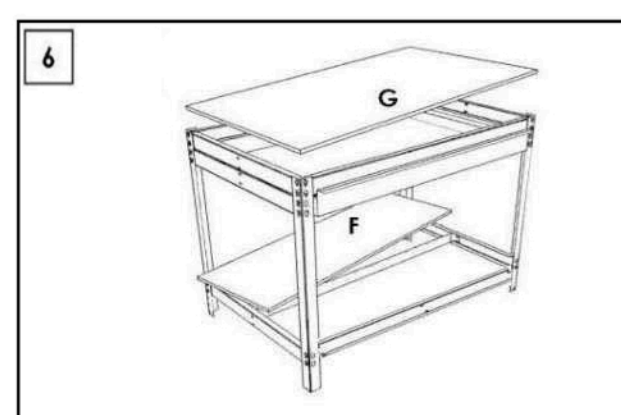
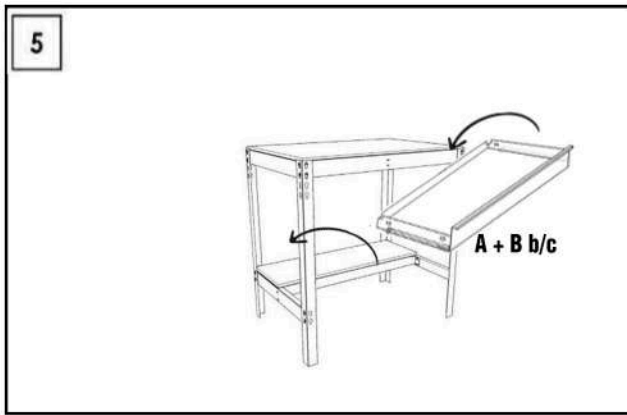
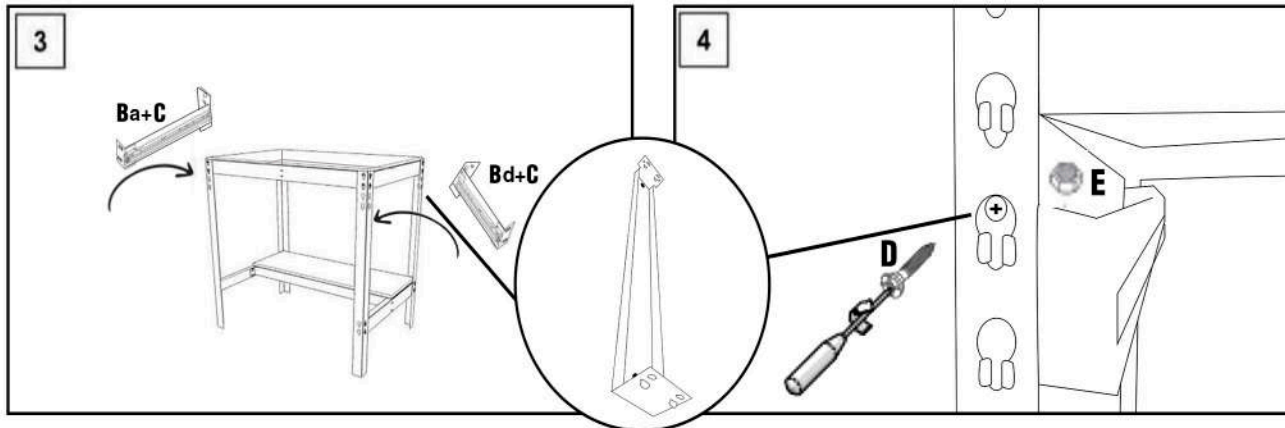
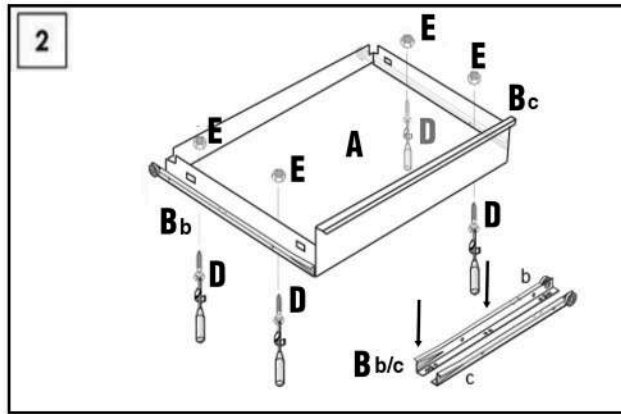
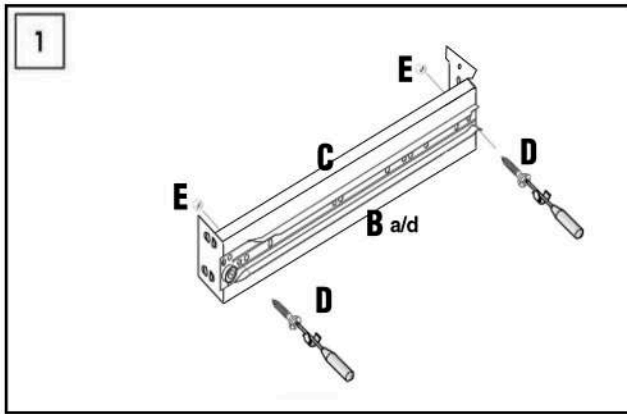
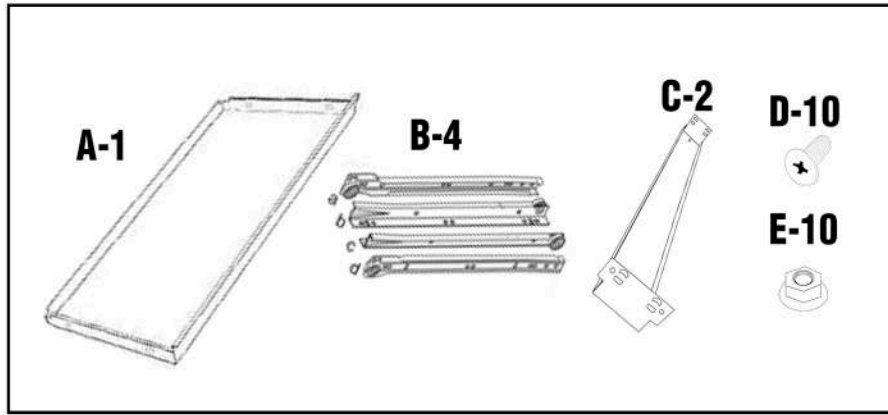


INSTRUCCIONES
INSTRUCTIONS
ANLEITUNG
INSTRUCTIONS



Simon Rack
SINCE 1964 - MANUFACTURER

BOX BT0-BT5



SIMONCLASSIC



SIMONCLICK



SIMONTALLER



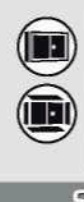
SIMONAUTO



SIMONWORK



SIMONLOCKER



SIMONOFFICE



SIMONHOME



SIMONGARDEN



SIMONTITÁN



SIMONINOX



SIMONINDUSTRIAL



ALTILLOS Y PASILLOS ELEVADOS
PLATFORMS AND MEZZANINES
LAGERBÜHNEN • PLATES-FORMES ET MEZZANINES



* Kg / lb per bandeja con carga uniformemente repartida
Kg / lb per shelf uniformly distributed load
Kg / lb pro fach bei gleichmäßig verteilter Last
Kg / lb par plateau avec charge uniformément répartie

www.simonrack.com • www.instructionsrack.com • www.bt0box.com



www.instructionsrack.com/bt0box